

## CUSTOMER PROFILE

- World supplier of transformer monitoring solutions, oil testing services and transformer condition assessment software for the global electrical industry, and their solutions are used worldwide by utilities asset managers, oil-filled transformer manufacturers, transformer maintenance companies and oil testing laboratories.
- 100-199 employees

## KM SALES

- BCA Direct Sales

## CUSTOMER NEEDS

Client is using Microsoft Dynamics as their ERP system for purchase orders (PO) creation. With every new PO, the system creates a new folder with #PO as a name. Then all and any documentation related to this PO have to be scanned and uploaded to the right PO folder. This was taking a lot of time for scanning to email then open attached file to rename and upload it to the folder.

## SOLUTIONS

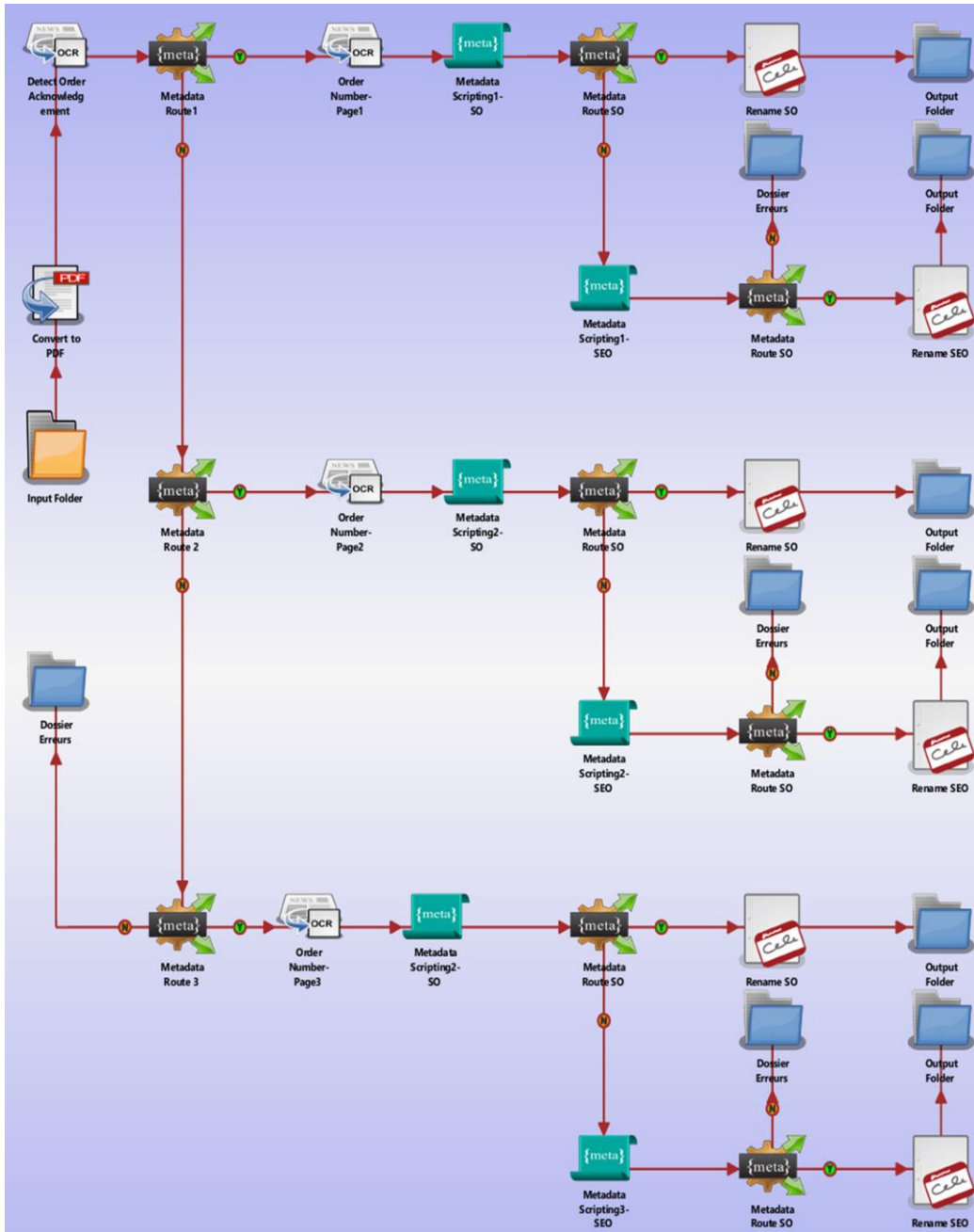
- > Dispatcher Phoenix ECM Package with Advanced OCR & Covert to PDF options for 1 bizhub MFP
- > Detailed diagram on the next page

## KEY SUCCESS FACTORS

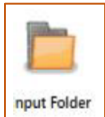
We started our project with PoC, this phase convinced our customer. We gave our customer a solution to reduce the needed time to scan and classify his documents. Especially with the Covid-19 restriction, the person who is in charge of the scan could be in his office only a day per week.

- 1- Even if customer did a big investment to implement an ERP he could need a solution to scan and route.
- 2- Every customer who installed Microsoft Dynamics should have DP

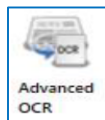
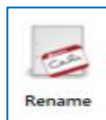
# ADDITIONAL INFORMATION



## CAPTURE



## PROCESS



## DISTRIBUTION

